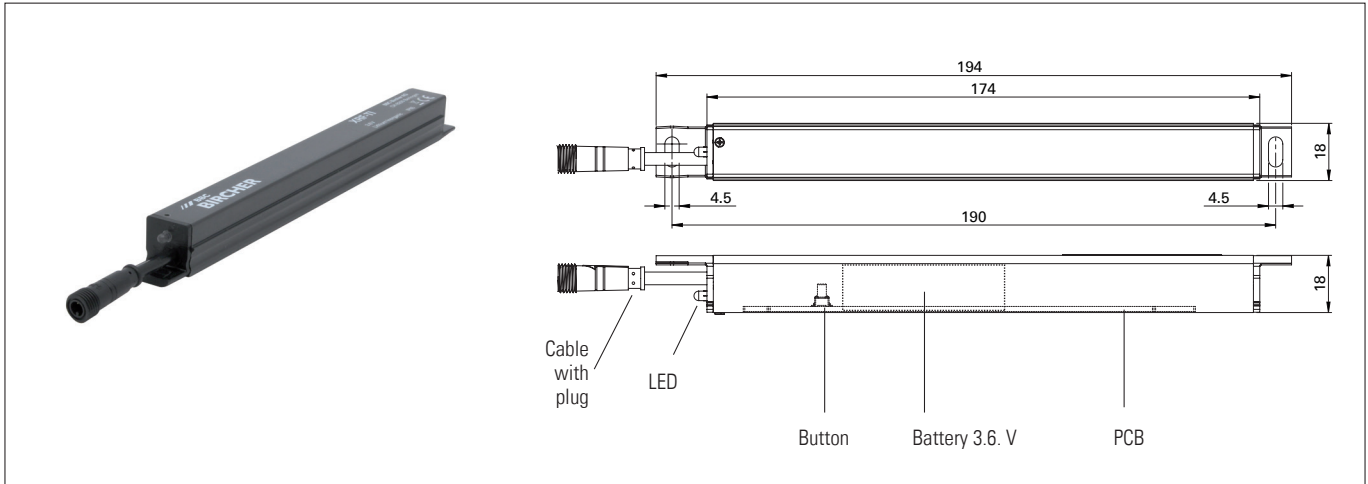


XRF-TI

Transmitter to XRF wireless transmission system

Original operating instructions

Intended use: Monitoring safety edges on doors and gates, in combination with a receiver XRF



Safety instructions



- Read these operating instructions thoroughly before putting the device into operation and keep them for future reference.
- Do not use this product other than for its specified application.
- Only trained and qualified personnel may install and initialize the device.
- Only authorized factory personnel may perform hardware/software changes or repairs to the product.
- Failure to follow these safety precautions may cause damage to sensor or objects, serious personal injury, or death.
- It is the responsibility of the equipment manufacturer to carry out a risk assessment and to install the system, in compliance with applicable local, national and international regulations, safety standards, codes and laws as well as the Machinery Directive 2006/42/EC, should this apply.
- Always consider the safety functions of your applications as a whole, never just in relation to one individual section of the system.
- The installer is responsible for testing the system to ensure it meets all applicable safety standards.
- Safety devices that are classified as Category 2 according to EN ISO 13849-1 must be tested regularly – at least once per cycle.
- If the safety device is not requested operationally at least once a year, it must be checked manually by the operator at least once a year.
- Pay attention to all local relevant electrical safety regulations.
- Protect the device with a housing against contamination or aggressive environments.
- This device contains batteries.
- Observe the local regulations for battery disposal.
- After accessing the inside of the sensor, ensure the cover/protection seal is closed tightly to achieve designated protection rating.

1 Set-up

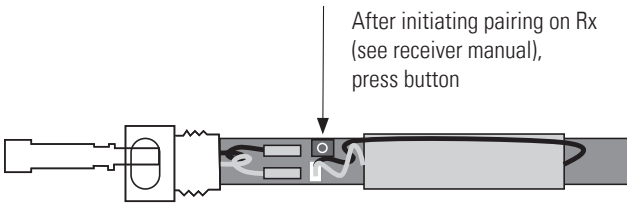
1.1 Connect battery

- Loosen screw (at original delivery shipped in bag with Philips screw driver #00)
- Carefully pull out the PCB
- Plug in connector
- LED flashes 5x (confirms battery connected)
- Pairing (1.2) if required
- Slide in the PCB again
- Close the housing, tighten the screw (Philips #00, shipped with unit)

1.2 Pairing

Pairing is possible with open transmitter or later in mounted situation.

1.2.a Pairing at open state



1.2.b Pairing at built-in state

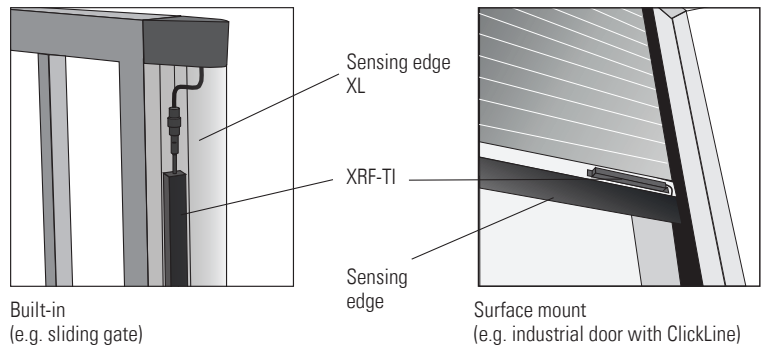
After initiating pairing on Rx (see receiver manual), press the edge two times within 2 sec.



1.3 Mounting

XRF-TI is designed for the concealed installation in the contact profiles of ExpertSystem (see assembly and mounting instruction).

However it can be wired with other safety edges eg. where space is limited.



1.4 System check (mandatory after each set-up)



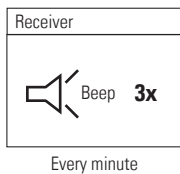
Check the system by pressing the **safety edge**

The LED flashes when activating the sensor element (pressing the sensing edge) and flashes again when releasing the sensor element.

Does the door/gate stop when the sensing element is activated?

2 Trouble shooting

2.1 Warning indicator for low battery voltage



To find out which transmitter has low battery: Press each edge.



Battery good

Battery bad

2.2 Battery change

- ① Order new battery (prepared with connector)
- ② Pull out the PCB (see 1.1.)
- ③ Disconnect battery plug and remove battery
- ④ Insert new battery, plug in connector

- ⑤ Slide in the PCB
- ⑥ Close the cover again
- ⑦ **System test mandatory!**
- ⑧ Dispose battery acc. to local regulations

3 Technical data

Transmitter	
Input	8.2 kOhm sensor
Battery power	1x Lithium Inorganic 3.6 V
Battery life	up to 7 years
Protection class IEC 60529	IP65

System	
Operating frequency	868.3 MHz
Range	100 m (at optimal condition)
Operating temperature	-20 °C to +60 °C

4 EU Declaration of Conformity

See attachment

5 WEEE



Devices with this symbol must be treated separately during disposal. This must be done in accordance with the laws of the respective countries for environmentally sound disposal, processing and recycling of electrical and electronic equipment.

6 Contact

BBC Bircher Smart Access, BBC Bircher AG, Wiesengasse 20, CH-8222 Beringen, www.bircher.com

Designed in Switzerland / Made in China